



## E-KABIN T SERIES

WALL MOUNTED TERMINAL BOXES

# WALL MOUNTED TERMINAL BOXES

[www.eaeelektrotechnik.com](http://www.eaeelektrotechnik.com)

## CONTENTS

Introduction	1
Features	2
Order Codes	4





## E-Kabin T Series Monoblock Indoor Wall Mounted Terminal Boxes

E-Kabin T Series Terminal Boxes are designed for general purpose electrical applications.

Application	: Indoor
Protection class	: IP 66
Mounting Type	: Wall-mounted
Paint	: Epoxy-polyester powder paint
Colour	: Standard RAL 7035
Environment class	: According to -EN 60721 - 3 - 3 - IE32
Standards	: IEC 62208, IEC 60529, IEC 62262

## FEATURES

### 270° Turn Fastening Screw

Easy assembly with 270° turn fastening screw.



### IP 66 Protection Class Against Dust and Water

Foam-in-place gasket applied to door does not lose its elasticity in time and provides protection against dust and water.



### Easthetical Look

Design does not have welding and leveling processes at the edges of cover corners; instead of these, plastering process is applied and thanks to that, box has an aesthetical look.



# FEATURES



## Wide Access to Box

Easy assembly and access inside the box.



## Useful Mounting Plate

Allows to use maximum available space with minimal losses inside the box.



## Useful Bracket

Wall mounting can be easily done with the bracket set.



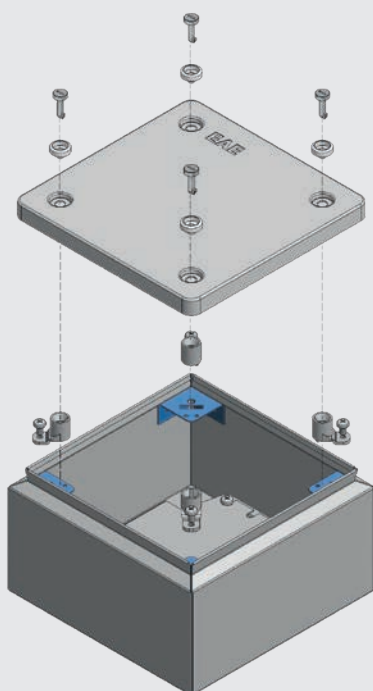
# ORDER CODES

HEIGHT	WIDTH	DEPTH	ORDER CODES
200	200	120	ET 20 20
200	300	120	ET 20 30
200	400	120	ET 20 40
300	300	120	ET 30 30
300	400	120	ET 30 40
400	400	120	ET 40 40

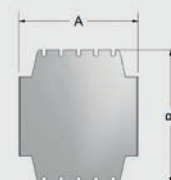
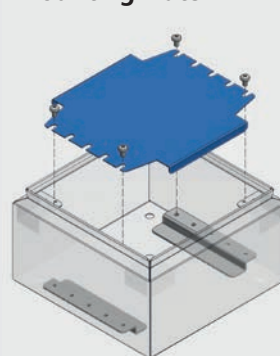
Note: Mounting Plate and Bracket Set is included in standard supply content.



## Cover Fixing Detail

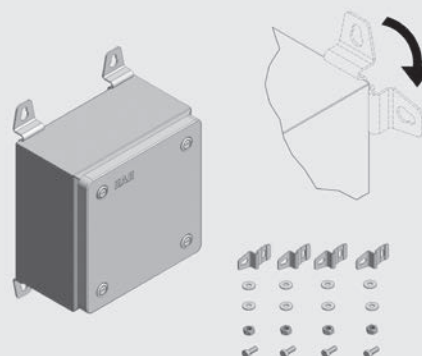


## Mounting Plate



	Size A	Size B
ET 2020	172	192
ET 2030	172	292
ET 2040	172	392
ET 3030	272	292
ET 3040	272	392
ET 4040	372	392

## Bracket Set: EO BS



Unless otherwise specified all dimensions are in mm.











Please check our website for updated catalogues and certificates.

[www.eaelektroteknik.com/en/support-download-center/](http://www.eaelektroteknik.com/en/support-download-center/)



[www.eaelektroteknik.com](http://www.eaelektroteknik.com)

**EAE Elektroteknik A.S.**

İkitelli Organize Sanayi Bölgesi

Eski Turgut Özal Caddesi

Ziya Gökalp Mahallesi No: 20

34490 Basakşehir - İstanbul / TURKEY

Phone: +90 (212) 549 26 39 (pbx)

Fax : +90 (212) 549 37 91

E-mail: [exportsales@eae.com.tr](mailto:exportsales@eae.com.tr)