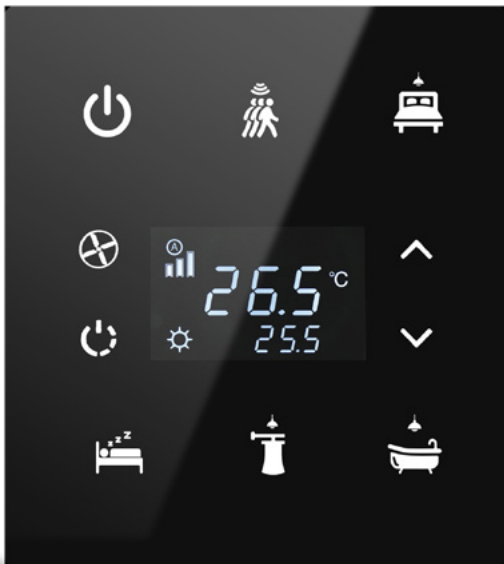


# Datasheet ROSA Solid Thermostat

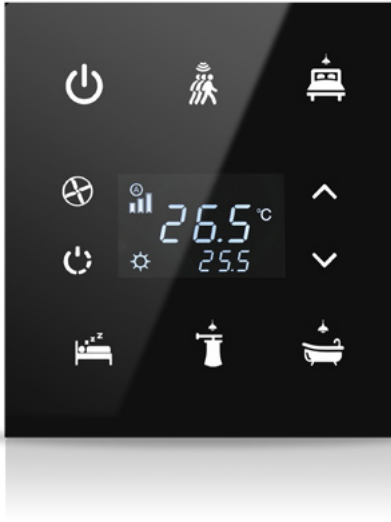
## **EAE KNX ROSA Solid Thermostat Series**

---

*All you need is EAE*



### General Features

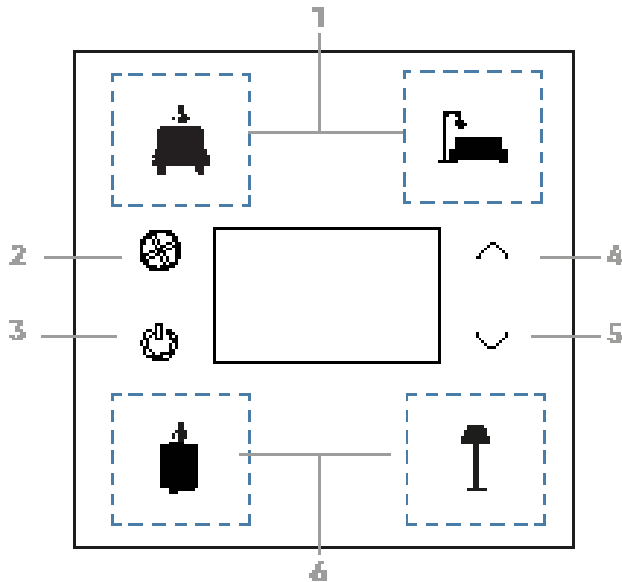


- Solid glass design
- Customizable icons
- Customizable button counts
- Different color options
- Temperature Adjustment on Digital LCD
- Integrated Temperature Sensor (°C/ °F )
- Fan Speed Adjustment (1, 2, 3, Auto)
- Different Operation Modes (Comfort, Night, Away, OFF)
- Fully Automatic Function Mode (Heat – Cool transition)
- Control Flexibility for all HVAC units including VRF-VRV and AC
- PI rational, PI on-off (PWM), On/Off, Fan coil, Split unit controls
- Easy mount into 60x60 mm standard switch junction boxes
- Up to 4 programmable touch buttons (1 to 2 fold)
  - Switching
  - Dimming
  - Blind Control
  - Value transfer
  - Scene Control

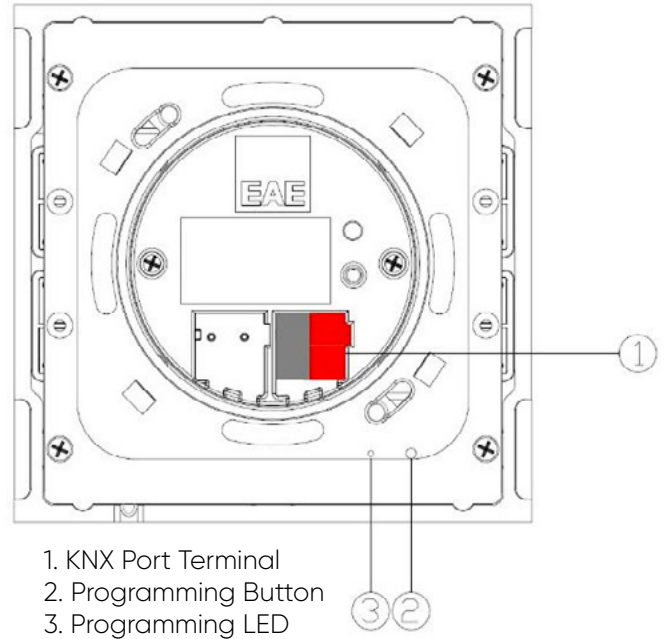
### Technical Data

<b>Safety Rating</b>		IP 20, DIN EN 60529	
<b>Safety Class</b>	II	EN 61140	
<b>Power Supply</b>	- Voltage	21V... 30V DC, via the KNX bus	
	- Current drawn from bus	<10mA	
<b>Connections</b>	- KNX	Bus Connection	
<b>Operating Temperature</b>	- Ambient	-5° C + 45° C	
	- Storage	-25° C + 55° C	
	- Measurement Accuracy	±0,3 °C	
<b>Humidity</b>	- Max. Air humidity condensation	95% no moisture	
<b>Dimensions</b>	Front Side	85 x 85 mm	
	Side- Surface mounted part	11 mm	
	Side- Flush mounted part	19.4 mm	
<b>Box Material</b>	Glass, polycarbonate		
<b>Color</b>	Black, White		
<b>CE</b>	In accordance with the EMC guideline and low voltage		
<b>Application Program</b>	# of Comm. Objects	Max. Group Addresses	Max. Matching
	76	254	255

### Functional Elements and Connections



- 1. Programmable Touch Button Group 1
- 2. Fan Speed (1, 2, 3, A)
- 3. Operation Mode (Comfort, Night, Away, OFF)
- 4. Setpoint Temperature UP
- 5. Setpoint Temperature DOWN
- 6. Programmable Touch Button Group 2



- 1. KNX Port Terminal
- 2. Programming Button
- 3. Programming LED

### Technical Drawings

